



What's New

ISEE ANNUAL CONFERENCE WRAP-UP



46TH ANNUAL CONFERENCE ON EXPLOSIVES & BLASTING TECHNIQUE

JANUARY 26 29 2020 DENVER COLORADO USA

The ISEE's 46th annual conference on explosives and blasting techniques this past week was a great success. Many thanks to all the ISEE staff and volunteers for another great show. We got to give the world its first big taste of the Hydradet System, an electronic detonator with accompanying blasting machines, a central blasting system for underground and software. The newest MacLean MDA drill that will be entering its testing phase shortly was also making its first exposure to the drill and blast audience with great success. We'd like to thank everyone who came to see us and the best deflagrating explosives the world has to offer. We are already looking forward to the 47th annual conference on February 7 - 10th, 2021 in Orlando, Florida.



EARLY SPRING?

As long as you are not on the east coast, the verdict seems pretty clear, Spring is coming sooner than later. With both Punxsutawney Phil and Wiarton Willie calling for an early spring it seems the two powerhouses of weather prediction are in agreement. So the big question is are you and your team ready? The planning season will be coming to an end and all the projects you have been looking at on paper will be coming to fruition. Don't forget that Coogar Sales and Services pride ourselves on the technical support

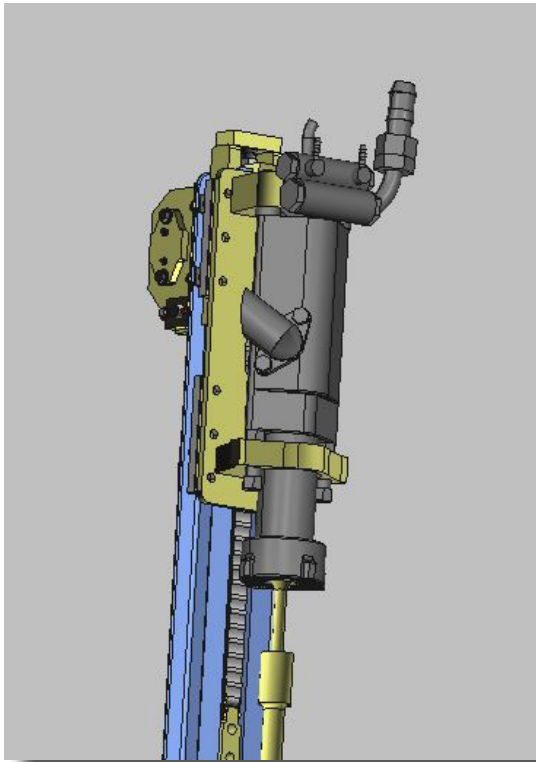
that we supply, ensuring you are ready for whatever comes across your desk.





What's New

The Latest MacLean MDA is Coming



MacLean Engineering is hard at work to produce the first test model of the newest MDA excavator rock drill. With an upgraded feed rail, the newest MDA will feature the Atlas-Copco BBC120 pneumatic rock drill. This new drill configuration will allow the MDA to drill with a 10' R32, R38 or T38 drill steel with a saddle travel of 108" or 9 feet in one pass. The drill itself is rated for an efficient hole depth of 100' with a 1 7/8" hole and able to drill up to 4". An air requirement of 375 cfm @ 90 psi will supply the air needed to run the pneumatic drill and 2-4 gallons per minute of hydraulic fluid from the carrier to run the feed rail and adjustable feed swing. Maintaining the robust, no nonsense, KISS mentality of the original MacLean MDA design, the single electrical connection, and quick attach capable mounting will allow the user to switch from drilling to excavating all with one machine. We are looking forward to putting this new drill through it's paces and offering it to our customers this summer. For smaller hole diameters the current MDA-8 and MDA-12 with the Joy AL67 pneumatic rock drill are still an excellent choice and continue to please customers all over North America. Coogar Sales has a wide array of drilling experience to help support you and your drilling operations. As you can't bill for downtime we have a parts

inventory and supply chain that can have your MDA parts to you next day in most cases. Let us show you how the MDA from MacLean Engineering can make your rock drilling faster, easier and more profitable.

<http://coogarsales.com/products/mda-pneumatic-drill/>



Coogar Sales & Services is the proud distributor of Nxburst and the FRAGMENTOR throughout Canada, US and Mexico and has the stock to meet your demands. With our staff having a practical drill and blast experience we can guide you through even the most delicate of jobs safely and effectively helping you and your bottom line.

Give us a call at (866) 762-5835 or visit www.coogarsales.com

